

Kato Mini Diorama Circus (aka T-TRAK "lite")

By Mike Dettinger, Philly Division NMRA

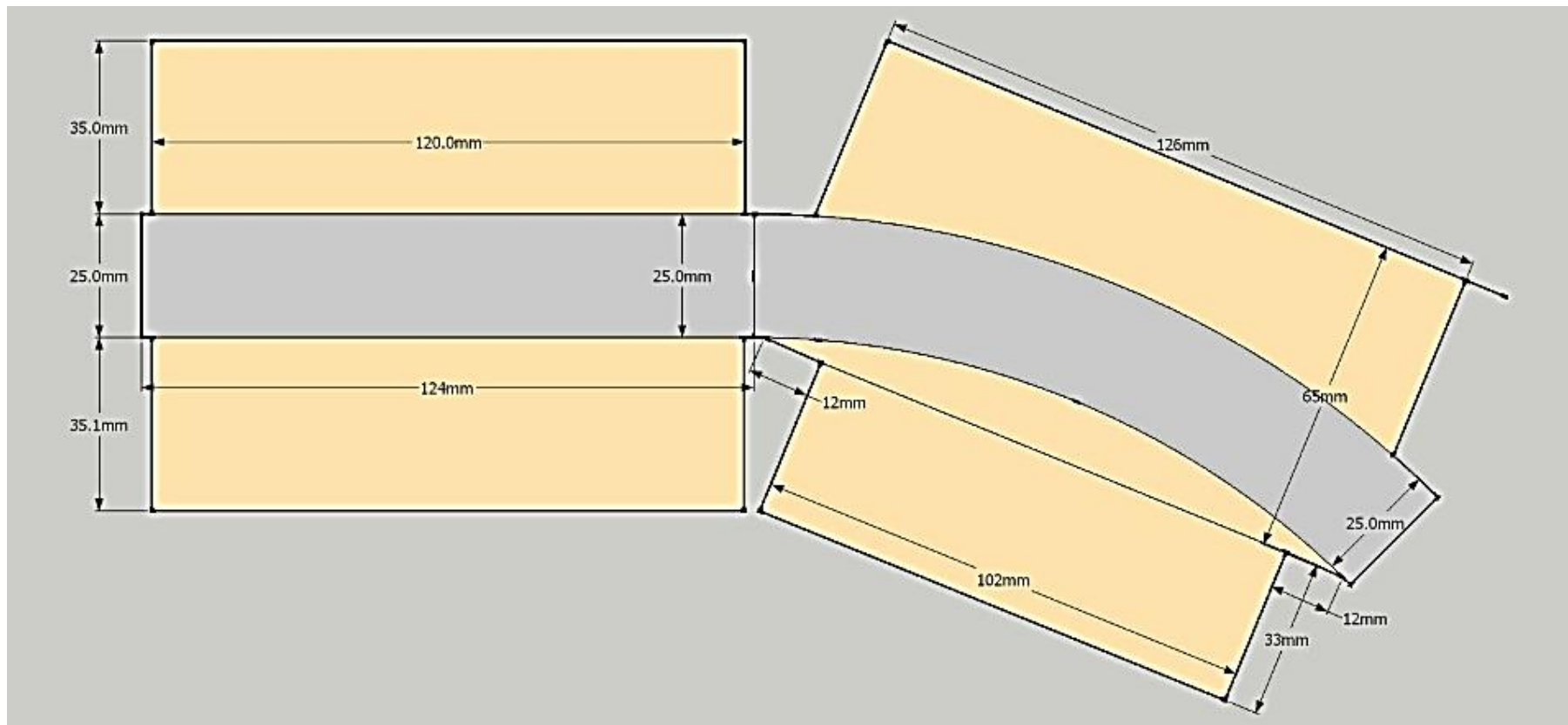
The newest and easiest way to build operating model trains with the smallest physical footprint.

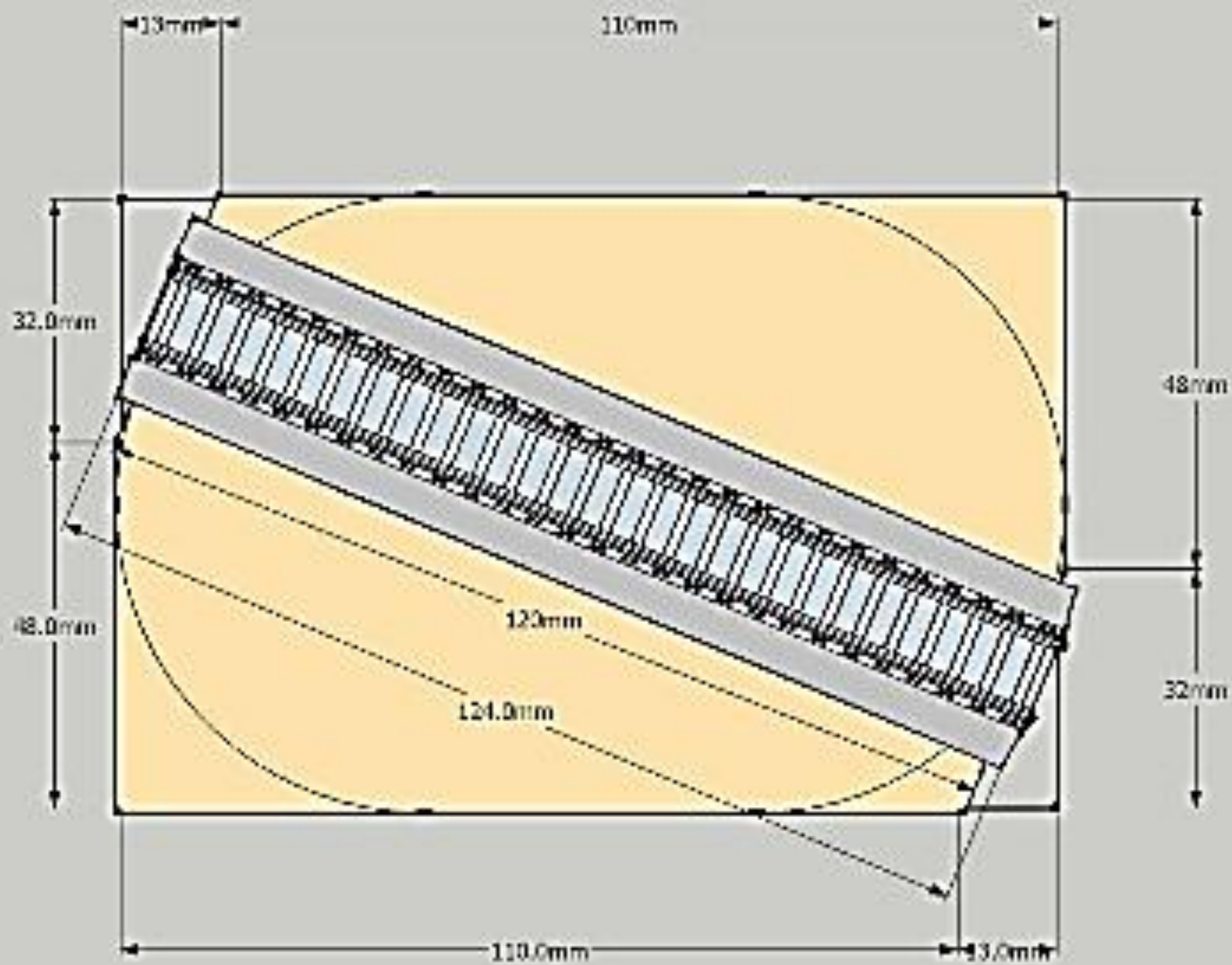
The official Kato Mini Diorama Circus brochure is included in this PDF, but may be downloaded separately using this QR code or by typing or copying/pasting the URL found below:

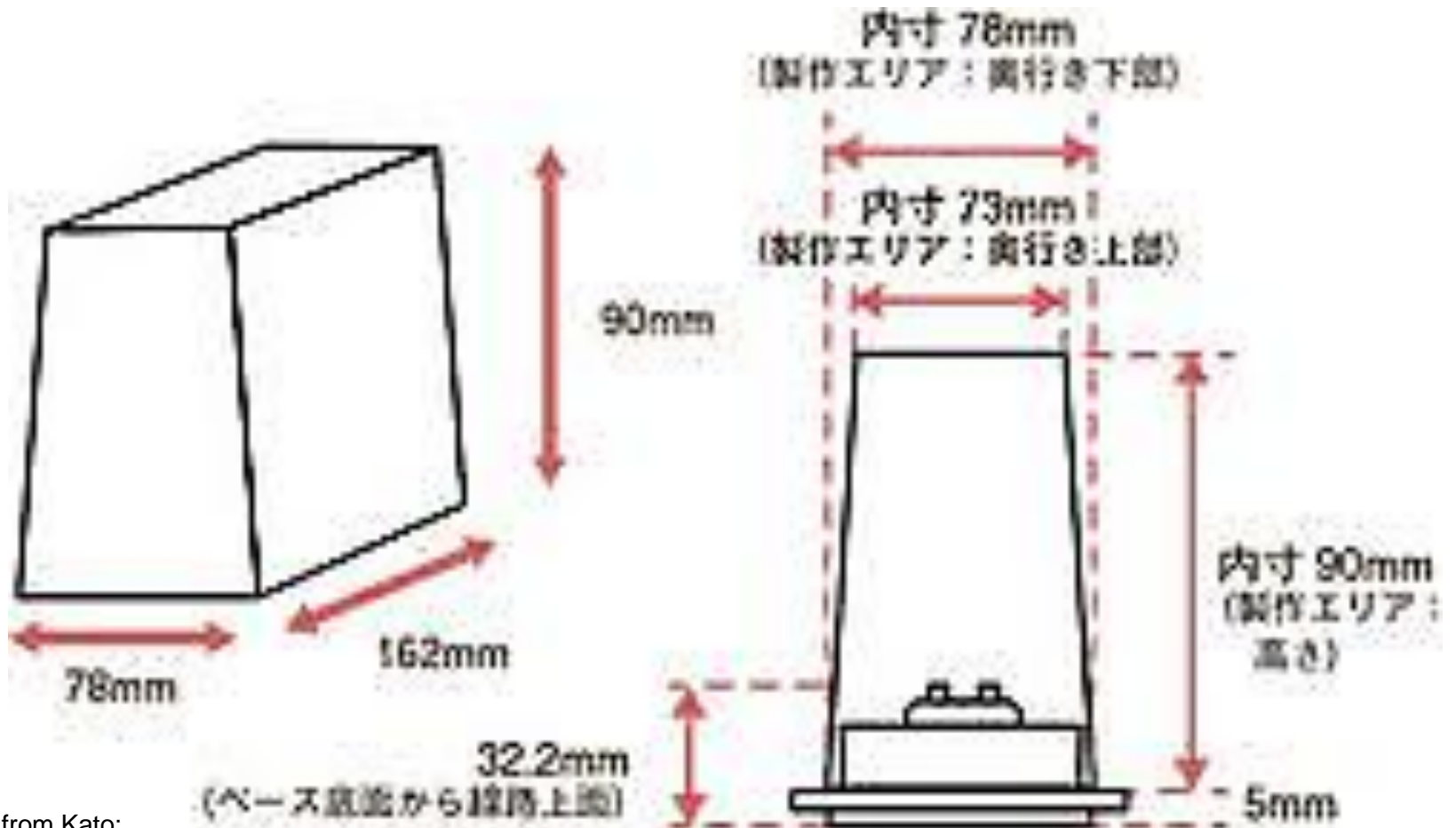
https://d499bef1-b04a-4fdb-a927-a1ebd9d9ec55.filesusr.com/ugd/241d2f_38c2aa0c1295409c988e1f0b18c3a1b7.pdf



As with T-TRAK, the Kato Unjoiner does the hard work and allows the participants to focus on the more creative aspects of model railroading. The Kato Track System features solid mechanical and electrical connections between each track section and between each module. Photos of examples of some modules are included at the end of this PDF.







Additional Information from Kato:

<https://www.kato-dioramakit.com/en>

<https://katousa.com/mini-dioramas/>

Thoughts from Model Railroaders:

<https://philsworbench.blogspot.com/2023/12/i-joined-circus.html>

<https://playingtrains.wordpress.com/oo9-micro-modules/>

<https://jnsforum.com/community/topic/17838-kato-mini-diorama-kit/>

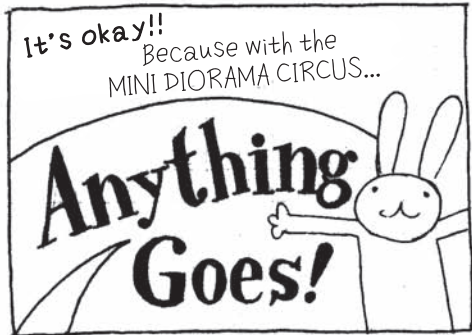
Official Branded Kato Diorama Modules:

<https://store.katousa.com/product/kato-mini-dioramas-base-straight-track-s124/>

<https://store.katousa.com/product/mini-dioramas-base-curved-track-r183/>

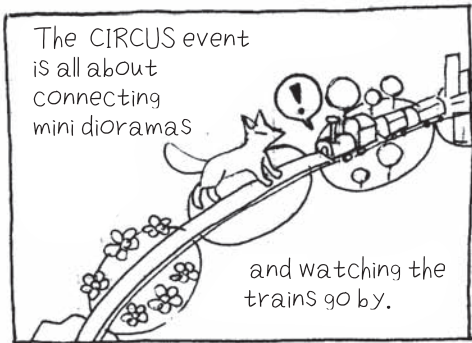


Would this figure look too big here?



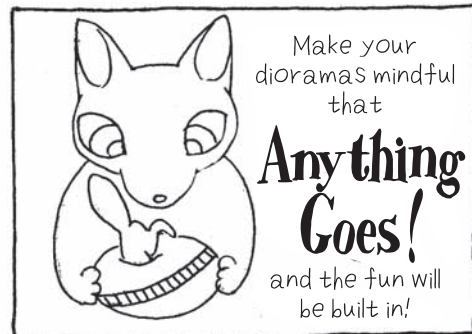
It's okay!! Because with the MINI DIORAMA CIRCUS...

Anything Goes!



The CIRCUS event is all about connecting mini dioramas .

and watching the trains go by.



Make your dioramas mindful that

Anything Goes!

and the fun will be built in!



KATO MINIDIORAMA CIRCUS



KATO MINIDIORAMA CIRCUS

Show you how

ART IS LOVE



BEGINNERS WELCOME!

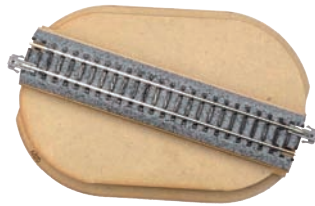


KATO

There are two types of MINI DIORAMA BASE.



CURVE

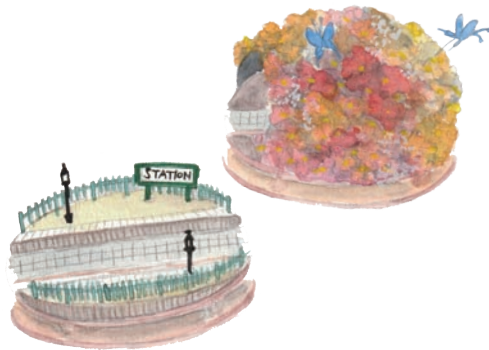


STRAIGHT

Straightrail base is easiest to build. Straightrail is ideal for making tunnel or station platform.

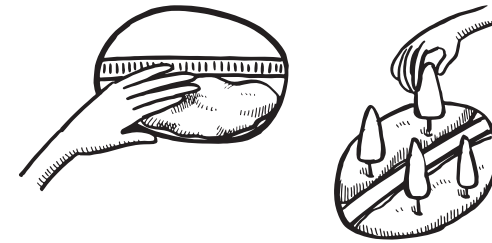


CURVE



STRAIGHT

Based on the image you want to create, make a list of materials you need. If you can't think of anything in particular, look at photos or go out to visit shops to get some positive inspiration.



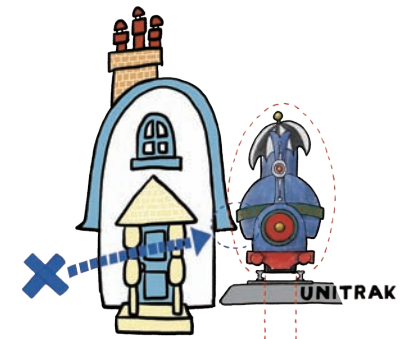
The easiest way to raise the surface of the base is to use clay. Clay is also very easy to use when you want to plant something on the natural surface.

Cut the locomotive part and place it on the rail as shown in the illustration.



Imagine running a model train on your mini diorama. To ensure problem-free running. The diorama must be out of the way of the model railway.

Align the clearance mark on the railtrack making sure that they do not bump on your mini diorama.



Failure to maintain clearances means that you cannot connect your finished mini diorama and join the CIRCUS. To prevent such sadness in advance, please pay attention to the clearances.

Also, be sure not to paint the metal parts of the track to ensure good electrical contact and smooth running for your train.

Anything Goes!

Traditional railway modelling, as well as diorama modelling, has normally been done to create a realistic railway running in a realistic landscape with everything to scale.



But in the world of mini dioramas, only the scenery and images in your mind are correct - you have complete freedom. Because they only take up a very small space, they are less demanding for first-time builders and require minimal creating time and material costs.



The MINI DIORAMA CIRCUS is an event where mini dioramas made by everyone are connected together to run model trains.

THINGS THAT ARE USEFUL TO HAVE!!



STYROFORM

This is useful when creating flat terrain.



ACRYLIC PAINT

Opaque acrylic paints can be painted on a variety of materials.



BRUSH, TOOTHPICK

It is an all-rounder for painting, crafts, etc...



Cardboard can be surprisingly useful if not thrown away. It can be lined with aluminium foil and used as a palette for paints, or painted and used for paper crafts.

When you start making dioramas, you start to see things around you in a different light.

"Can I use this?"

"What would happen if I painted it?"

And so on. The moment when everyday life becomes creative is very exciting. It's a real CIRCUS!



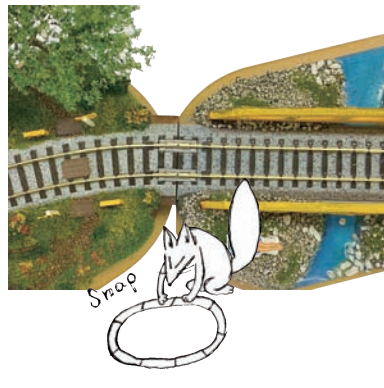
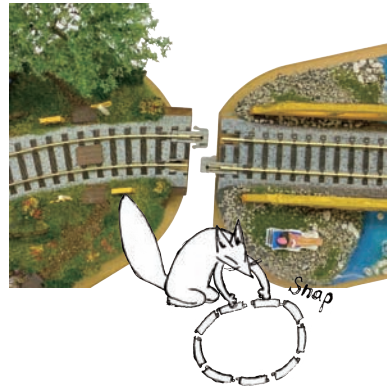
CHUG! CHUG!

Why is the CIRCUS connected?



The rails used in the mini diorama base are KATO'S UNITRACK.

The UNIJJOINER at each end of the UNITRACK is a reliable component that can be easily connected and disconnected by anyone.



Dioramas are fun just to make, but when you join the CIRCUS, You can connect with dioramas made by other people.

It is an entertainment that can never be experienced virtually!!



This is an example of a layout connecting UNITRACK and mini dioramas. Use a book or something similar to match the height with mini dioramas.



Connecting 8 curves make a small oval and a cute CIRCUS is completed. Ideal for enjoying at home.



